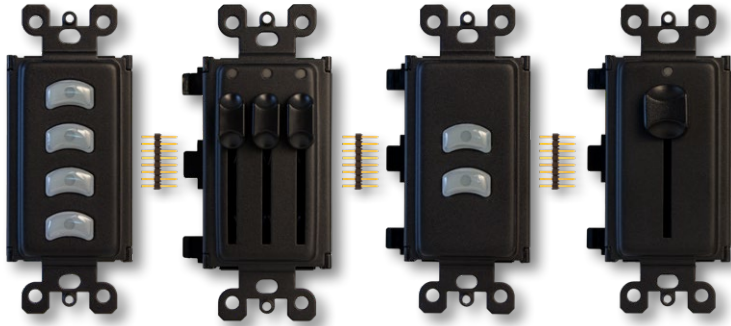


# Architectural Wall Stations



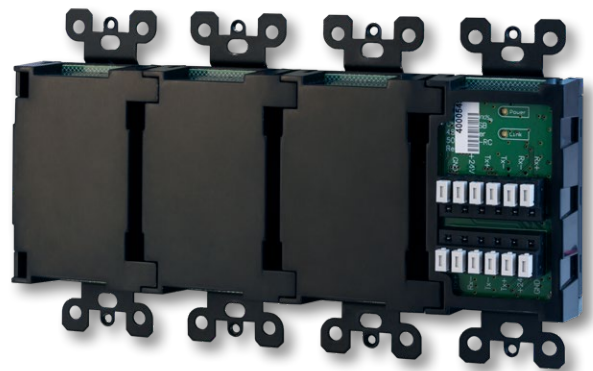
- Use NSB (Networked Sliders and Buttons) to extend the control of your Choreo or Cognito<sup>2</sup> architectural system
- Use Vignette to snapshot DMX512 and sACN
- Station inserts let you build the wall station you want from one to six gangs wide
- Either system may use PoE wiring that is homerun to a switch or a 485 daisy-chain bus topology using an architectural gateway

# NSB (NETWORKED SLIDERS AND BUTTONS)



## Network Wiring Options

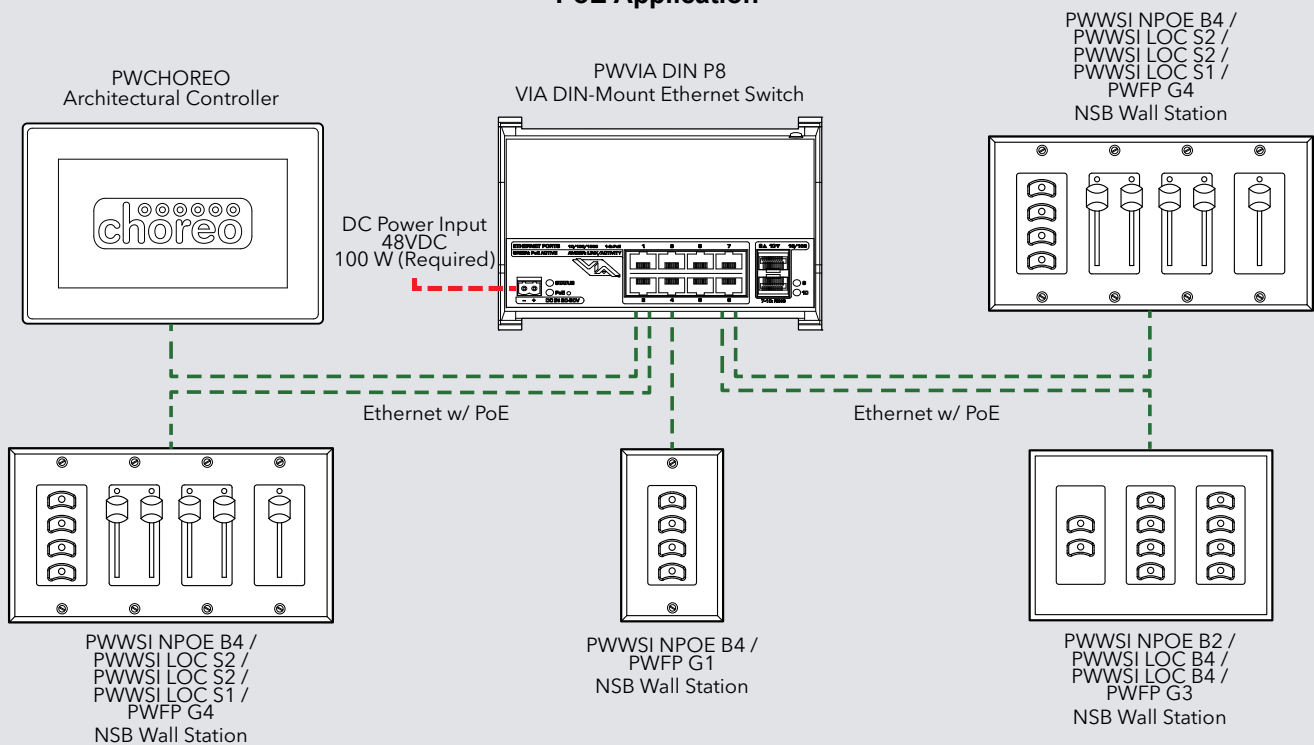
- Use either a VIA PoE switch or the NSB Architectural Gateway with or without local contact closures
- When using Cat5/6 wiring for the 485 station bus, use the supplied IDC connectors
- Use the compression screw terminal blocks when retrofitting an existing system with Belden 9773 in the walls



- Design wall stations from one to six gangs wide that are fully compatible with Cognito<sup>2</sup>™ and Choreo™ lighting control platforms
- Two button or four button and single, dual, or triple slider inserts available in white or black
- Any button or slider may be associated with memories recorded on a Cognito<sup>2</sup> or Choreo. A slider can be configured as a master for an entire memory page
- Works with Rooms to control lights in its own space
- Discovery and configuration from within Cognito<sup>2</sup> or Choreo

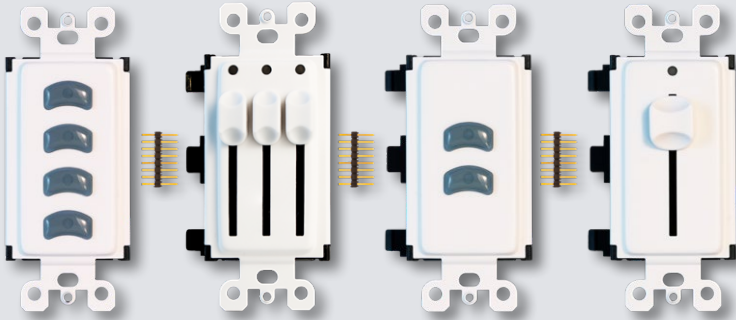
## HOW IT WORKS

### PoE Application



# VIGNETTE

- Snapshot four universes of sACN or DMX512
- Use Pathscope to define Zones of DMX addresses with minimum and maximum levels
- Group stations to mirror each other or work independently
- The system automatically yields control with the presence of theatrical controller coming online
- Buttons have multiple functions including snapshot replay, non-dim zones, show mode take control, priority override and record enable
- Sliders can act as zone control or grand master

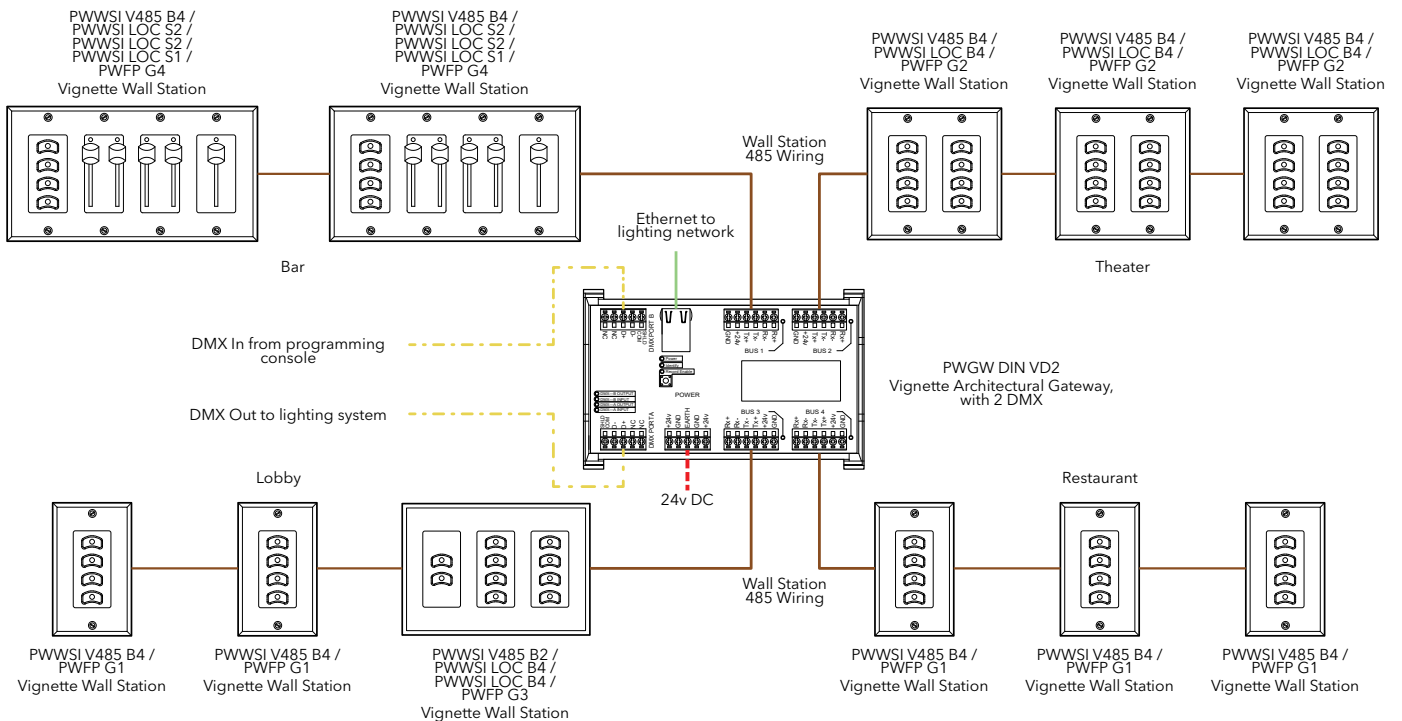


## Network Topologies

- PoE systems require a Pathport gateway to output DMX512
- Vignette 485 Architectural Gateways are available with or without contact closures and/or DMX512 inputs/outputs
- Each of the four busses on a Vignette Architectural Gateway can support up to 16 inserts
- CognitoPC Offline Editor will function as a snapshot builder without a license dongle

## HOW IT WORKS

### 485 Application





A pioneer in entertainment lighting, Pathway Connectivity is renowned for solid, easy-to-use equipment with comprehensive, robust features.

Our reputation for innovation and reliability is based on over twenty-five years commitment to enhancing the functions and interoperability of lighting systems around the world.



For more info, visit  
[www.pathwayconnect.com](http://www.pathwayconnect.com)